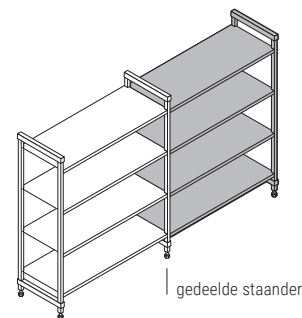
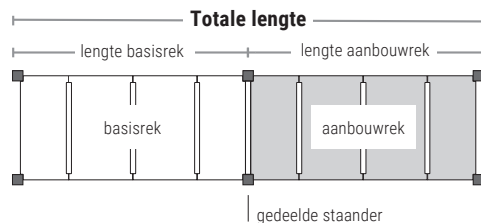


## BASISREK: basisrek + aanbouwrek met gedeelde staander

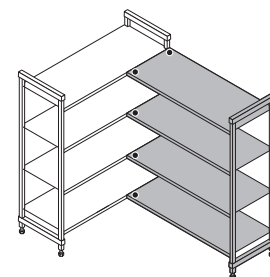
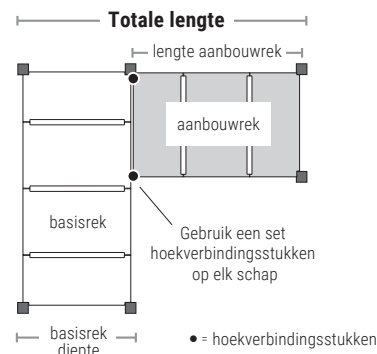
BASIS & AANBOUWREK	BASISREK LENGTE	AANBOUWREK LENGTE	TOTALE LENGTE
600 mm	680 mm	+ 635 mm	= 1315 mm
700 mm	780 mm	+ 735 mm	= 1515 mm
800 mm	880 mm	+ 835 mm	= 1715 mm
900 mm	980 mm	+ 935 mm	= 1915 mm
1000 mm	1080 mm	+ 1035 mm	= 2115 mm
1100 mm	1180 mm	+ 1135 mm	= 2315 mm
1200 mm	1280 mm	+ 1235 mm	= 2515 mm
1300 mm	1380 mm	+ 1335 mm	= 2715 mm
1400 mm	1480 mm	+ 1435 mm	= 2915 mm
1500 mm	1580 mm	+ 1535 mm	= 3115 mm
1600 mm	1680 mm	+ 1635 mm	= 3315 mm
1700 mm	1780 mm	+ 1735 mm	= 3515 mm



## HOEKREK: basisrek + aanbouwrek met hoekverbindingstukken

AANBOUWREK	AANBOUWREK LENGTE	BASISREK DIEPTE	TOTALE LENGTE
600 mm	655 mm	+ 300 mm	= 955 mm
700 mm	755 mm	+ 300 mm	= 1055 mm
800 mm	855 mm	+ 300 mm	= 1155 mm
900 mm	955 mm	+ 300 mm	= 1255 mm
1000 mm	1055 mm	+ 300 mm	= 1355 mm
1100 mm	1155 mm	+ 300 mm	= 1455 mm
1200 mm	1255 mm	+ 300 mm	= 1555 mm
1300 mm	1355 mm	+ 300 mm	= 1655 mm
1400 mm	1455 mm	+ 300 mm	= 1755 mm
1500 mm	1555 mm	+ 300 mm	= 1855 mm
1600 mm	1655 mm	+ 300 mm	= 1955 mm
1700 mm	1755 mm	+ 300 mm	= 2055 mm

AANBOUWREK LENGTE	BASISREK DIEPTE	TOTALE LENGTE
655 mm	+ 400 mm	= 1055 mm
755 mm	+ 400 mm	= 1155 mm
855 mm	+ 400 mm	= 1255 mm
955 mm	+ 400 mm	= 1355 mm
1055 mm	+ 400 mm	= 1455 mm
1155 mm	+ 400 mm	= 1555 mm
1255 mm	+ 400 mm	= 1655 mm
1355 mm	+ 400 mm	= 1755 mm
1455 mm	+ 400 mm	= 1855 mm
1555 mm	+ 400 mm	= 1955 mm
1655 mm	+ 400 mm	= 2055 mm
1755 mm	+ 400 mm	= 2155 mm



AANBOUWREK	AANBOUWREK LENGTE	BASISREK DIEPTE	TOTALE LENGTE
600 mm	655 mm	+ 500 mm	= 1155 mm
700 mm	755 mm	+ 500 mm	= 1255 mm
800 mm	855 mm	+ 500 mm	= 1355 mm
900 mm	955 mm	+ 500 mm	= 1455 mm
1000 mm	1055 mm	+ 500 mm	= 1555 mm
1100 mm	1155 mm	+ 500 mm	= 1655 mm
1200 mm	1255 mm	+ 500 mm	= 1755 mm
1300 mm	1355 mm	+ 500 mm	= 1855 mm
1400 mm	1455 mm	+ 500 mm	= 1955 mm
1500 mm	1555 mm	+ 500 mm	= 2055 mm
1600 mm	1655 mm	+ 500 mm	= 2155 mm
1700 mm	1755 mm	+ 500 mm	= 2255 mm

AANBOUWREK LENGTE	BASISREK DIEPTE	TOTALE LENGTE
655 mm	+ 600 mm	= 1255 mm
755 mm	+ 600 mm	= 1355 mm
855 mm	+ 600 mm	= 1455 mm
955 mm	+ 600 mm	= 1555 mm
1055 mm	+ 600 mm	= 1655 mm
1155 mm	+ 600 mm	= 1755 mm
1255 mm	+ 600 mm	= 1855 mm
1355 mm	+ 600 mm	= 1955 mm
1455 mm	+ 600 mm	= 2055 mm
1555 mm	+ 600 mm	= 2155 mm
1655 mm	+ 600 mm	= 2255 mm
1755 mm	+ 600 mm	= 2355 mm

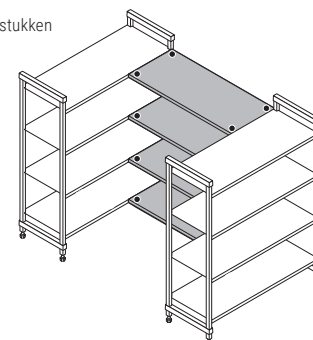
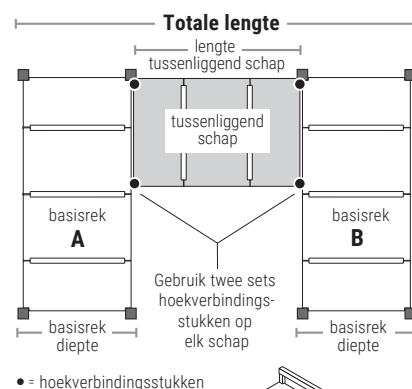
## U-VORMIGE STELLING: twee basisrekken + tussenrek met hoekverbindingstukken

TUSSEN-LIGGEND SCHAP	TUSSEN-LIGGEND LENGTE	300 MM DIEPTE BASISREK UNIT A + B	TOTALE LENGTE
800 mm	830 mm	+ 600 mm	= 1430 mm
900 mm	930 mm	+ 600 mm	= 1530 mm
1000 mm	1030 mm	+ 600 mm	= 1630 mm
1100 mm	1130 mm	+ 600 mm	= 1730 mm
1200 mm	1230 mm	+ 600 mm	= 1830 mm
1300 mm	1330 mm	+ 600 mm	= 1930 mm
1400 mm	1430 mm	+ 600 mm	= 2030 mm
1500 mm	1530 mm	+ 600 mm	= 2130 mm
1600 mm	1630 mm	+ 600 mm	= 2230 mm
1700 mm	1730 mm	+ 600 mm	= 2330 mm

TUSSEN-LIGGEND LENGTE	400 MM DIEPTE BASISREK UNIT A + B	TOTALE LENGTE
830 mm	+ 800 mm	= 1630 mm
930 mm	+ 800 mm	= 1730 mm
1030 mm	+ 800 mm	= 1830 mm
1130 mm	+ 800 mm	= 1930 mm
1230 mm	+ 800 mm	= 2030 mm
1330 mm	+ 800 mm	= 2130 mm
1430 mm	+ 800 mm	= 2230 mm
1530 mm	+ 800 mm	= 2330 mm
1630 mm	+ 800 mm	= 2430 mm
1730 mm	+ 800 mm	= 2530 mm

TUSSEN-LIGGEND SCHAP	TUSSEN-LIGGEND LENGTE	500 MM DIEPTE BASISREK UNIT A + B	TOTALE LENGTE
800 mm	830 mm	+ 1000 mm	= 1830 mm
900 mm	930 mm	+ 1000 mm	= 1930 mm
1000 mm	1030 mm	+ 1000 mm	= 2030 mm
1100 mm	1130 mm	+ 1000 mm	= 2130 mm
1200 mm	1230 mm	+ 1000 mm	= 2230 mm
1300 mm	1330 mm	+ 1000 mm	= 2330 mm
1400 mm	1430 mm	+ 1000 mm	= 2430 mm
1500 mm	1530 mm	+ 1000 mm	= 2530 mm
1600 mm	1630 mm	+ 1000 mm	= 2630 mm
1700 mm	1730 mm	+ 1000 mm	= 2730 mm

TUSSEN-LIGGEND LENGTE	600 MM DIEPTE BASISREK UNIT A + B	TOTALE LENGTE
830 mm	+ 1200 mm	= 2030 mm
930 mm	+ 1200 mm	= 2130 mm
1030 mm	+ 1200 mm	= 2230 mm
1130 mm	+ 1200 mm	= 2330 mm
1230 mm	+ 1200 mm	= 2430 mm
1330 mm	+ 1200 mm	= 2530 mm
1430 mm	+ 1200 mm	= 2630 mm
1530 mm	+ 1200 mm	= 2730 mm
1630 mm	+ 1200 mm	= 2830 mm
1730 mm	+ 1200 mm	= 2930 mm



**DRAAGKRACHT:** stationair: 200 kg per schap, 800 kg per unit - mobiel: 600 kg per unit - hoek: 180 kg per schap, 720 kg per unit